

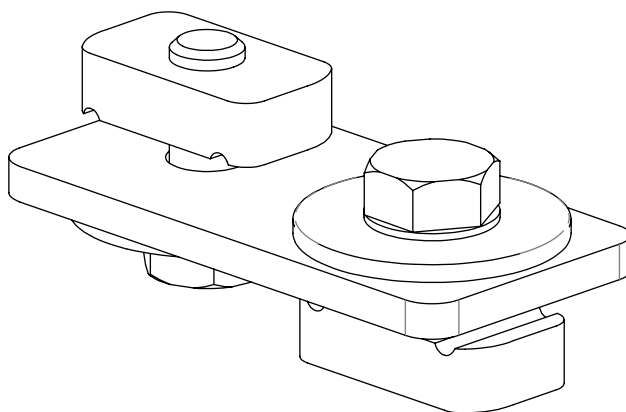


# RHINO-RACK

## 43105 - Rhino Attachment Plate Kit

Place these instructions in the vehicle's glove box after installation is complete.

**Important:** Please read these instructions carefully prior to installation.  
Please refer to your fitting instruction to ensure that the alloy tray is installed correctly.  
Check the contents of this kit before commencing fitment and report any discrepancies.



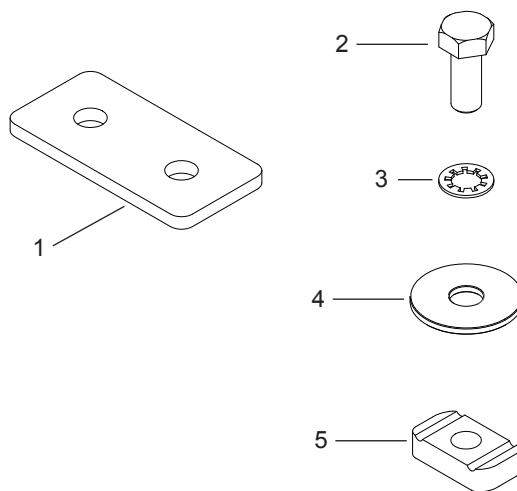
Item	Component Name	Qty	Part No.
1	Attachment Plate	2	C849
2	M10 x 25mm Hex Screw	4	B071
3	M10 Shakeproof Washer	4	W021
4	M10 x 30mm Flat Washer	4	W023
5	M10 Channel Nut	4	N024
6	Fitting Instructions	1	R041

**Care Instruction**

Clean alloy tray and crossbars prior to fitting Pioneer attachment plates.

**Tools Required**

16mm Spanner, Stanley Knife



Rhino-Rack  
3 Pike Street, Rydalmere,  
NSW 2116, Australia.  
(Ph) (02) 9638 4744  
(Fax) (02) 9638 4822

Document No: R041  
Prepared By: Nigel Greig  
Authorised By: Chris Murty

Issue No: 03  
Issue Date: 21/12/2015

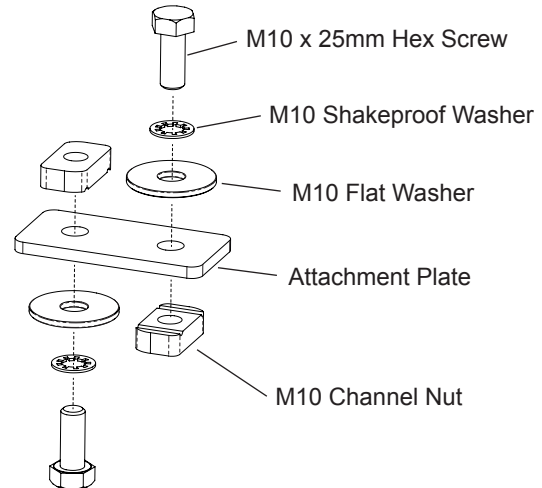
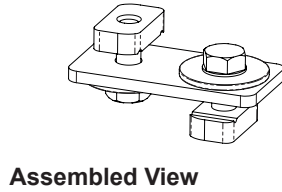
These instructions remain the property of Rhinorack Australia Pty Ltd and may not be used or changed for any other purpose than intended.



## 43105 - Rhino Attachment Plate Kit

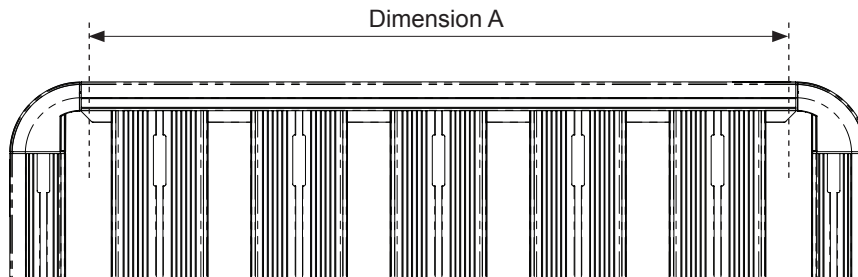
### 1 Fit Hardware to Attachment Plates

Loosely fit the hardware provided in the kit to the attachment plates as shown below.



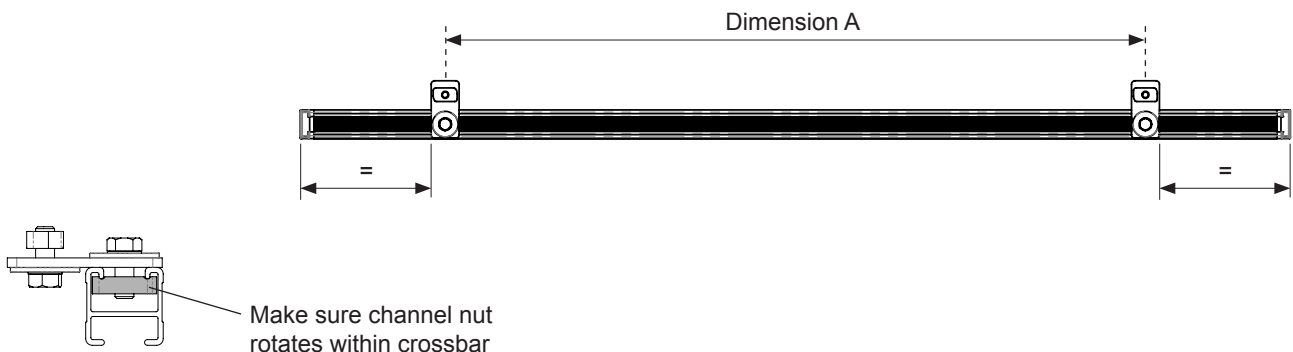
### 2 Measure Tray

Measure the tray from the centre of the outside gap on either side of the tray as shown below.



### 3 Fit Attachment Plates to Existing Heavy Duty Crossbars

Remove rubber from crossbars already fitted to the vehicle. Fit the attachment plates to the crossbar as shown making sure the channel nut rotates within the crossbar. Tighten in place with a 16mm spanner. Cut the rubber to size and re-fit the rubber to the crossbars on either side of the attachment plates.



### 4 Position Crossbars on Pioneer Tray and Fit To Tray Vehicle

Measure the position of the channel nuts on the attachment plates and set the crossbars on the Pioneer tray to suit. Be sure to allow enough clearance at the rear of the tray so it doesn't hit the tailgate when open. You may have to drill holes in the side of the tray for the M8 Dome bolts to be fitted.

Lower the tray onto the attachment plates. Centre the tray on the vehicle and fasten the tray in position, again making sure that the channel nuts rotate within the crossbars.  
(refer Pioneer fitting instructions for details on riveting crossbars into position).